

INSTALLATION GUIDELINES GUIDE D'INSTALLATION

CAMSO TRACK SYSTEMS FOR ALL-TERRAIN / SIDE-BY-SIDE VEHICLES
SYSTÈMES DE CHENILLES CAMSO POUR VÉHICULES TOUT-TERRAIN ET CÔTE À CÔTE



BRP
5000-02-1086-MAN



VERSION A



⚠ WARNING

Please read carefully each part of this document as well as the *User Manual* prior to assembling, installing and using the Track System.

CAUTION: Longevity of the Camso Track System's components is directly linked to the way the System is used. Sportive driving, rapid direction changes and repeated fast turns (especially on power steering vehicles) are not advised. These driving styles increase the risk of derailing and can cause premature wear and/or major breakdowns on the Track System which will not be covered under normal warranty.

TECHNICAL SUPPORT

If your dealer or distributor is unable to solve a problem related to the System, you may contact the Camso support team from Monday to Friday.



www.camso.co



pws.tracksystem@michelin.com



[@camsopowersports](https://www.facebook.com/camsopowersports)



[@camsopowersports](https://www.instagram.com/camsopowersports)

Camso inc.
4162, rue Burrill - Local A
Shawinigan, QC G9N 0C3
CANADA

Welcome to the Camso family

Thank you for choosing our Track Systems to make your ride a new beast.

Our products are designed to take you further and help you work harder in all terrain, whether you're hunting, ice fishing, caring for your land, reaching your remote cabin, or taking on any outdoor adventure. No matter where or in what conditions, get there and back safely with your Camso track systems.

Ready to benefit from optimal traction, mobility, stability, and flotation?

Let's go make tracks!

REMARKS / CONSTRAINTS

Track systems can create constraints during installation and/or use. Minor interference may result and modification to the vehicle may be necessary.

On this vehicle model, the track system's design results in the following constraints and related recommendations:

- Light interference and minor modifications possible.

PRE-INSTALLATION CHECK OF TRACK SYSTEM SPROCKET RATIO

Scan the QR code to the right and access the *Fitment Guide* to validate the number of teeth on front and rear sprockets specific to your vehicle model.



SYMBOLS AND SIGNAL WORDS

This document uses the following signal words and symbols to emphasize particular information:

WARNING

Indicates a potentially hazardous situation which, if not avoided, could result in death or serious injury.

CAUTION: Indicates a potentially hazardous situation which, if not avoided, may result in damage to vehicle and Track System components.

NOTE: Indicates supplementary information.

WARNINGS

WARNING

Install Track System at an authorized Camso dealer. Refer to the *Warranty* section in the *User manual*.

WARNING

Wear protective gloves and goggles.

WARNING

Immobilize vehicle on a flat and level surface, shift transmission into **Park** and turn engine off.

WARNING

Raise and install vehicle on secure supports (or lifting device).

WARNING

Ensure that the vehicle is immobilized and safe to work on.

WARNING

Beware of hot surfaces that may cause injury.

WARNING

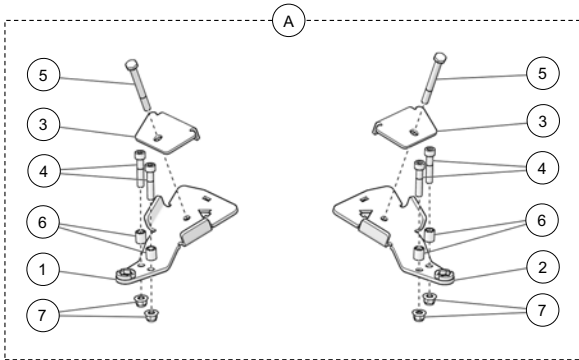
Moving parts - Hands or fingers caught between moving parts of the equipment present a danger to life or limb.

WARNING

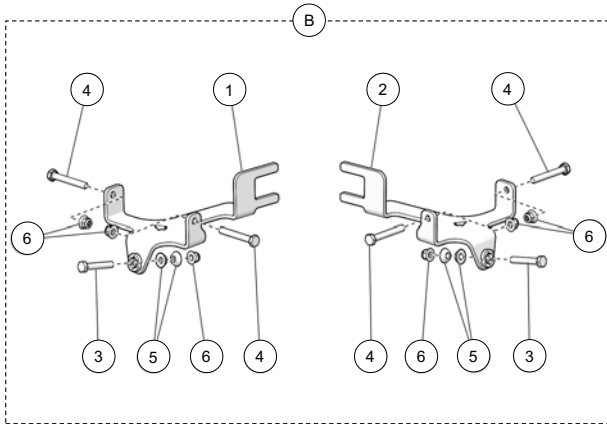
Do not place any part of your body under the vehicle unless it is securely placed on appropriate stands. Severe injuries could occur if the vehicle collapses or moves. Do not use a lifting device as a secure stand.

PARTS LIST

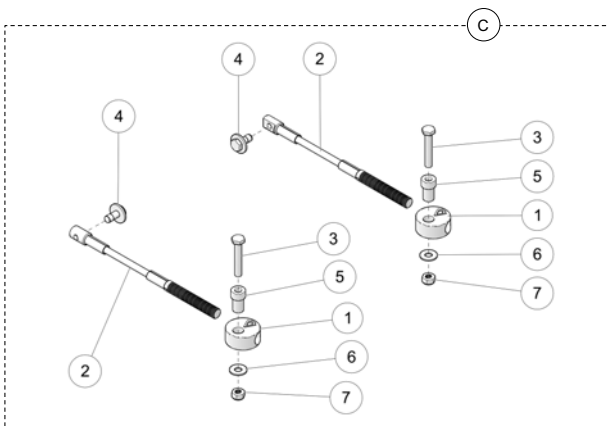
CAUTION: Before beginning the installation, make sure that you have received all the components included in the parts lists below.



ITEM	PART #	DESCRIPTION	QTY
A	1004-02-0020	FRONT BRACKET KIT	1
1	--	ANTI-ROTATION FRONT BRACKET - LH	1
2	--	ANTI-ROTATION FRONT BRACKET - RH	1
3	--	FRONT COVER	2
4	1032-10-J050	BOLT - HSCS, M10-1.5X50,12.9,ZP, DIN912	4
5	1033-10-0100	HX BOLT -HCS, M10-1.5X100, 8.8, ZP,DIN931	2
6	1050-00-0011	BUSHING ,445 X ,625 X 0,709L	4
7	1074-10-0001	NYLON NUT - FNN, M10-1.5, 8, ZP, DIN6926	4



ITEM	PART #	DESCRIPTION	QTY
B	1005-02-0022	REAR BRACKET KIT	1
1	--	ANTI-ROTATION REAR BRACKET- LH	1
2	--	ANTI-ROTATION REAR BRACKET- RH	1
3	1033-10-1060	HX BOLT- HCS, M10-1.5X60, 10.9, ZP,DIN931	2
4	1033-10-1075	HX BOLT- HCS, M10-1.5X75, 10.9, ZP,DIN931	4
5	1050-05-0305	TAPER SLEEVE	4
6	1074-10-0001	NYLON NUT - FNN, M10-1.5, 8, ZP, DIN6926	6



ITEM	PART #	DESCRIPTION	QTY
C	1003-77-3500	STEERING LIMITER ASSY	1
1	--	THREADED DISK	2
2	1003-77-3560	CABLE ASSY	2
3	1033-10-0060	HEX BOLT- HCS, M10-1.5X60, 8.8, ZP, DIN931	2
4	1033-10-2026	BOLT - HCSW,M10-1.5X25,8.8,ZP,TL,DIN933	2
5	1050-00-0200	STEP SPACER	2
6	1060-00-0004	WASHER - W, 7/16X1.0X0.072, 8, ZP, USS	2
7	1071-10-0001	NYLON NUT - NN, M10-1.5, ZP, 8, DIN982	2

TORQUE SPECIFICATIONS

Recommended torque specifications according to bolt size and grade.

DIMENSION	GRADE			
	8.8		10.9	
	Nm	lb-ft	Nm	lb-ft
M6-1.0	10	7		
M8-1.25	25	18	33	24
M10-1.5	50	37	70	52
M12-1.75	90	66	125	92

NOTE: Use a thread locker (Loctite 262 or equivalent) at the specific points of the System indicated in the *User Manual's* exploded views.

INFORMATION

- For most vehicles, directional arrows have been cut out of some components in the anchor bracket kits. Make sure the arrows point toward the front of the vehicle when installing the brackets. See Fig. 1

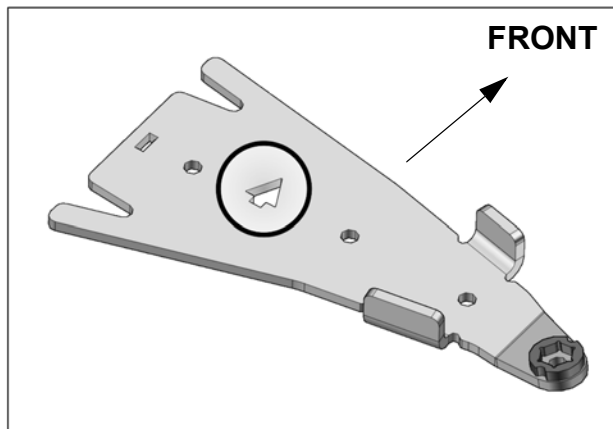


Fig. 1

PREPARATION

- Set each Track System unit near the position indicated by the sticker affixed on the frame.

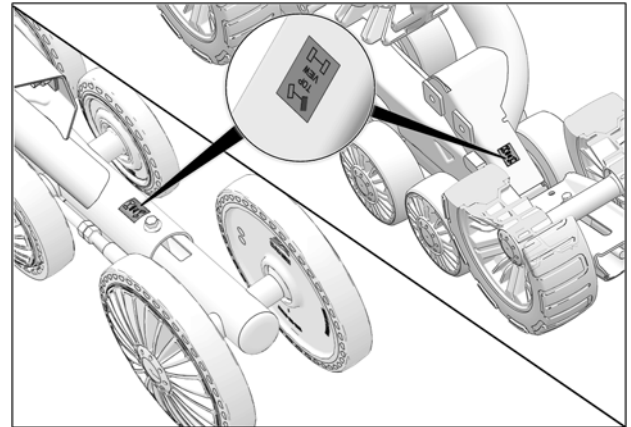


Fig. 2

**** IMPORTANT:** Start by installing the REAR Track Systems first. **

REAR TRACK SYSTEM INSTALLATION

- Remove rear wheels. Make sure that wheel studs and wheel hubs are free of dirt.
- If needed, remove CV joint protectors.
- Remove and discard bolts, washers, bushings, and nuts from rear stabilizing rod ends as shown in Fig. 3

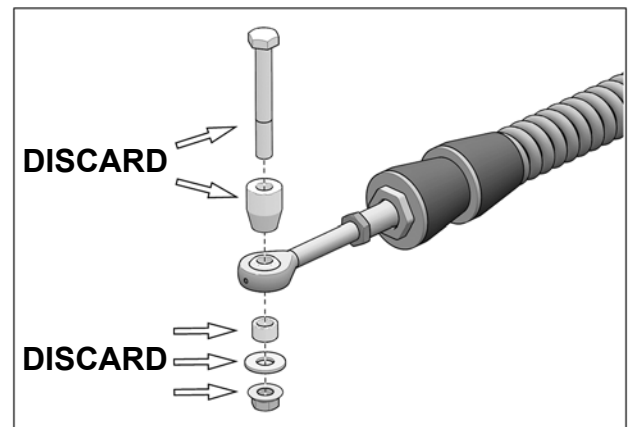


Fig. 3

4. Loosen and remove both flange bolts (1) linking the lower suspension arm to the wheel hub. See Fig. 4

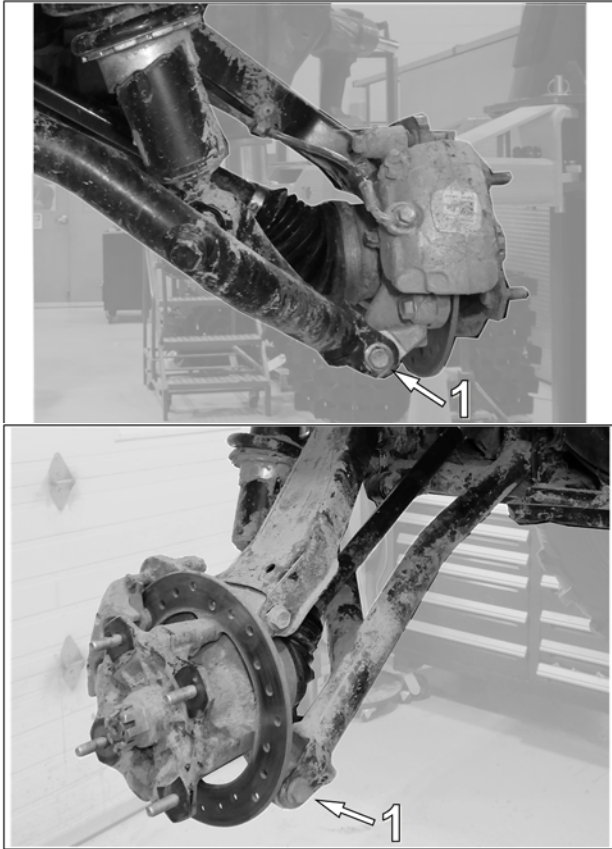


Fig. 4

5. Hook the back end of anchor bracket (B1-B2) on cross-member of lower suspension arm. See Fig. 5

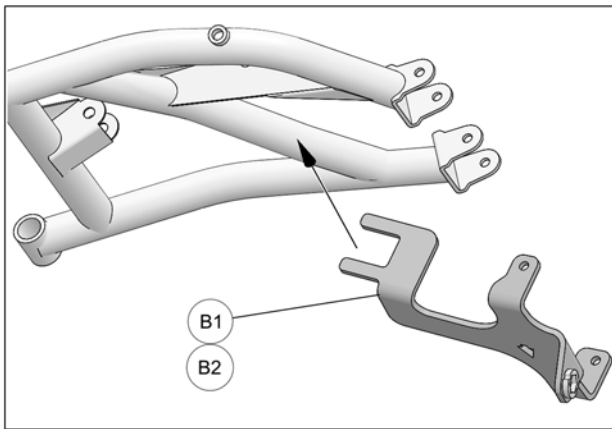


Fig. 5

6. Rotate bracket upward to align its holes with the holes in the suspension arm. See Fig. 6

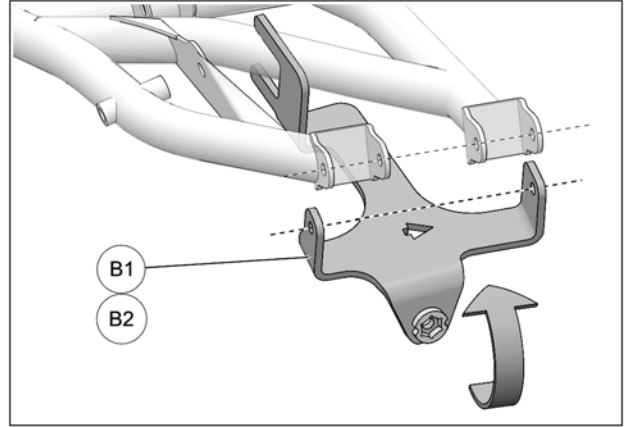


Fig. 6

7. Insert the new M10x75mm bolts (B4) in the anchor bracket, through the lower suspension arm and wheel hub. Secure assembly using the new M10 nuts (B6) provided. Tighten bolts to 70 N•m [52 lb•ft]. See Fig. 7

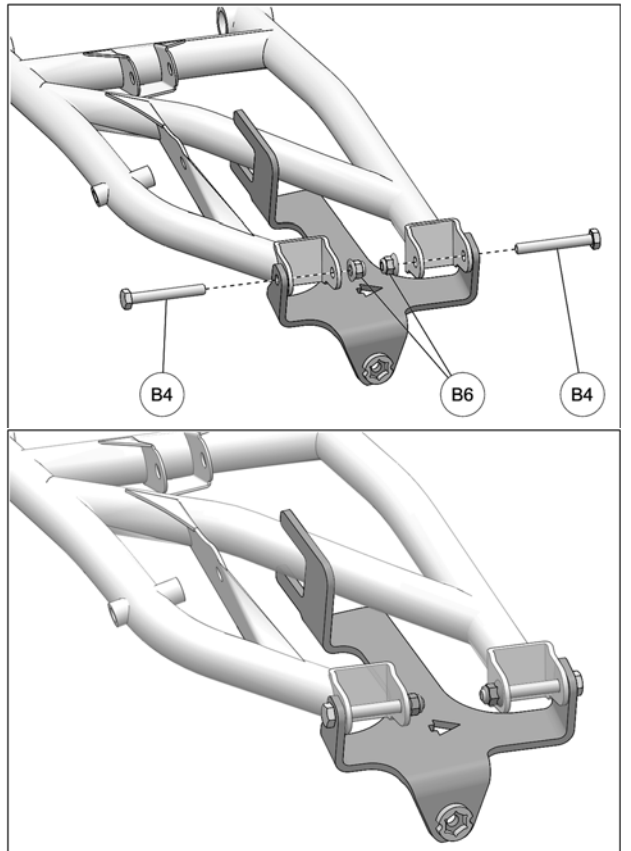


Fig. 7

- Make sure that the cotter pin locking the wheel hub's castle nut (1) will not interfere with the Track System hub during installation. There must not be any resistance when the Track System is installed on the vehicle's wheel hub. See Fig. 8

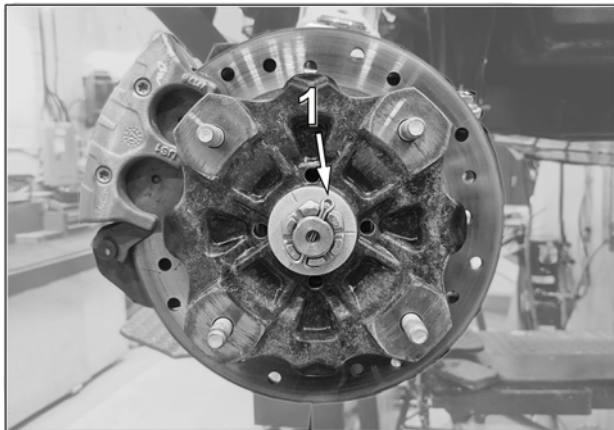


Fig. 8

- Secure undercarriage to rear hub using the vehicle's own lug nuts. Use bolt circle $\text{Ø}136 \text{ mm}$. See Fig. 9

CAUTION: If needed, take rubber protector off of hub.

CAUTION: Follow torque specification indicated by vehicle manufacturer when tightening wheel nuts.

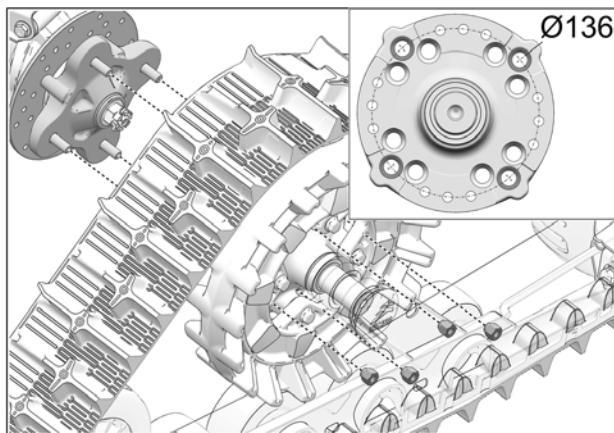


Fig. 9

- Attach stabilizing rod (1) to anchor bracket (B1-B2), using bolt (B3), taper spacer bushings (B5), and nut (B6). Torque to $70 \text{ N}\cdot\text{m}$ [$52 \text{ lb}\cdot\text{ft}$]. See Fig. 10

CAUTION: Components must be assembled in the order shown.

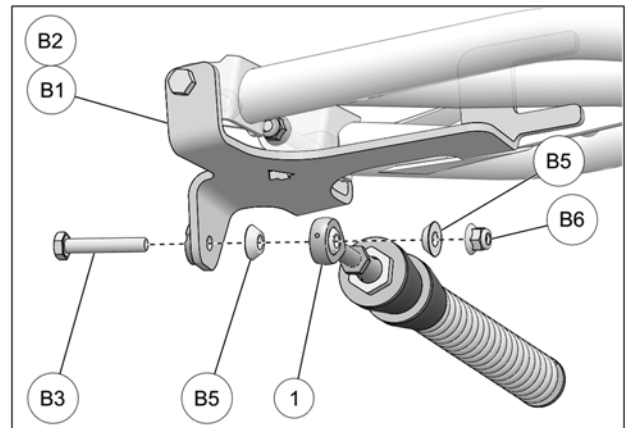


Fig. 10

- Verify that spring assembly bolt (2) is tightened to the recommended torque specification: $75 \text{ N}\cdot\text{m}$ [$55 \text{ lb}\cdot\text{ft}$]. Refer to Fig. 11

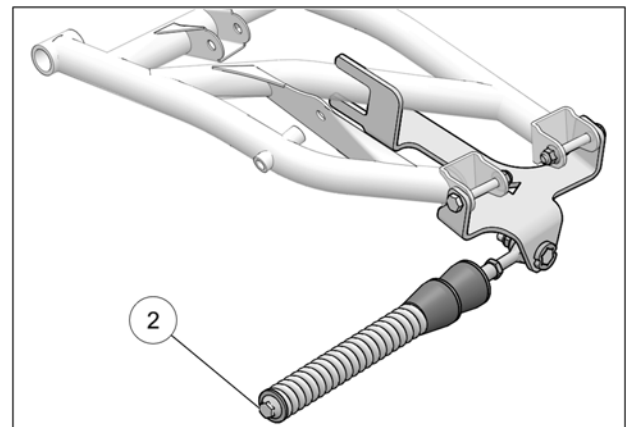


Fig. 11

- Inspect the rear track systems and ensure that all mounting bolts were correctly tightened during installation.

FRONT TRACK SYSTEM INSTALLATION

1. Remove front wheels. Make sure that wheel studs and wheel hubs are free of dirt.
2. If applicable, remove CV joint protectors.
3. Temporarily remove lower shock fixation bolt (1) and bolt securing sway bar double link (2). This lets you lift the suspension arms and help insert screws (A4) in lower suspension arm. See Fig. 12, Fig. 13

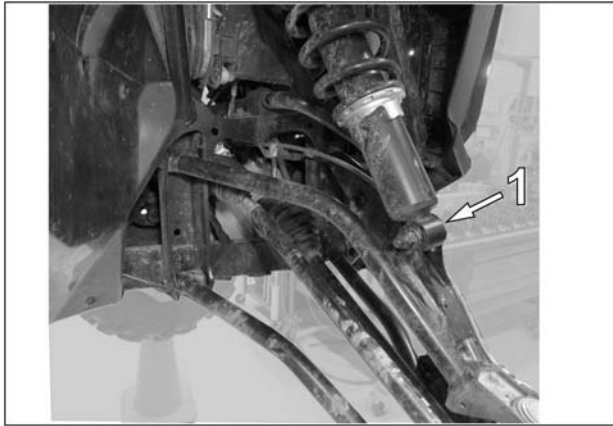


Fig. 12



Fig. 13

4. Lift upper suspension arm and insert two socket head screws (A4) in lower suspension arm as shown below in Fig. 14.

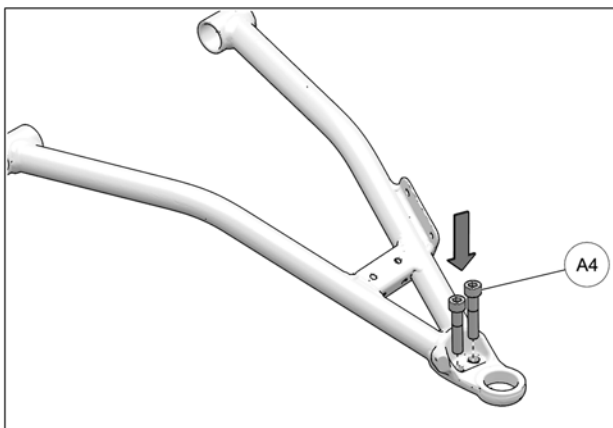


Fig. 14

5. Remove bolts, nuts, washers and bushings from front stabilizing rod ends as shown in Fig. 15

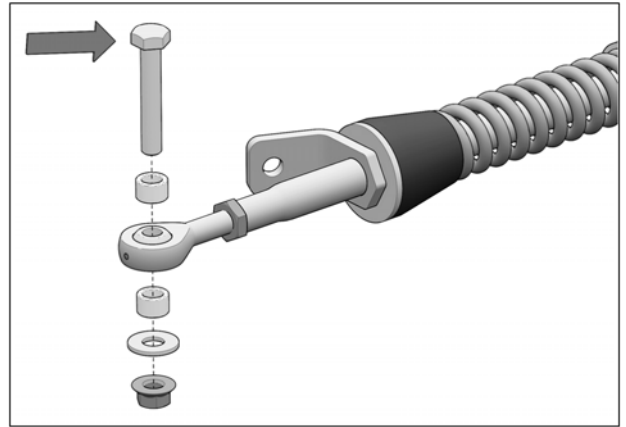


Fig. 15

6. Insert bolts in front anchor brackets (A1-A2) as shown in Fig. 16

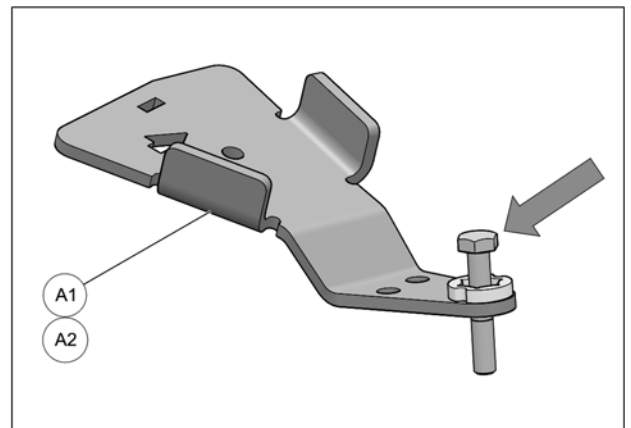


Fig. 16

CAUTION: Make sure that the bolt is inserted in the right direction. See Fig. 17

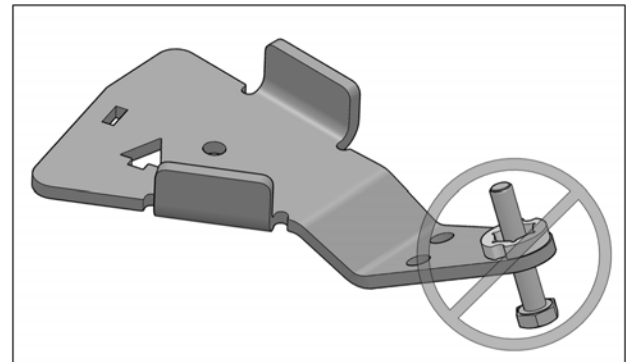


Fig. 17

- Slide bushings (A6) over socket head screws (A4). Position bottom part of anchor bracket (A1-A2) under lower suspension arm, with screws (A4) inserted through bracket holes. Position top part (A3) over suspension arm and insert tenon in mortise cut in bottom part. See Fig. 18

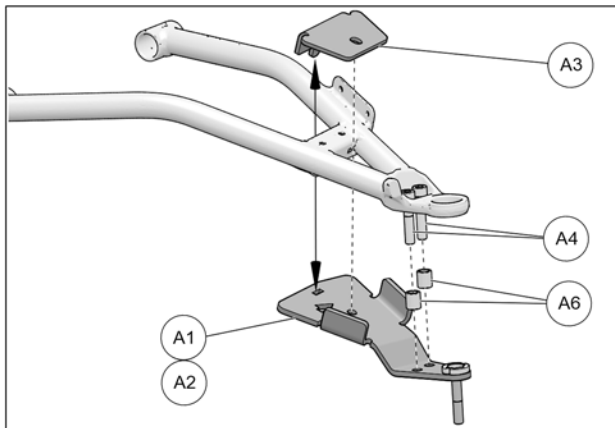


Fig. 18

- Insert the M10x100mm bolt (A5), from the top, through the hole in bracket cover. Secure bracket to suspension arm using provided nuts (A7). Tighten assembly to 50 N•m [37 lb•ft] of torque. See Fig. 19

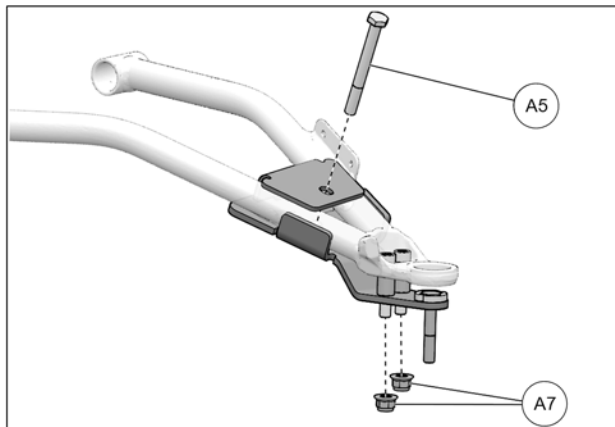


Fig. 19

- Re-install lower shock fixation bolt (1) and bolt securing sway bar double link (2). Make sure to tighten to the vehicle manufacturer's required torque specifications. See Fig. 12, Fig. 13

- Make sure that the cotter pin locking the wheel hub's castle nut (1) will not interfere with the Track System hub during installation. There must not be any resistance when the Track System is installed on the vehicle's wheel hub. See Fig. 20

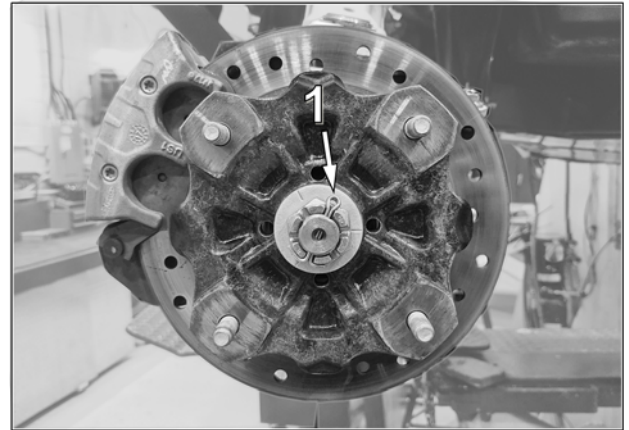


Fig. 20

- Secure undercarriage to front hub using the vehicle's own lug nuts. Use bolt circle Ø136 mm. See Fig. 21

CAUTION: If needed, take rubber protector off of hub.

CAUTION: Follow torque specification indicated by vehicle manufacturer when tightening wheel nuts.

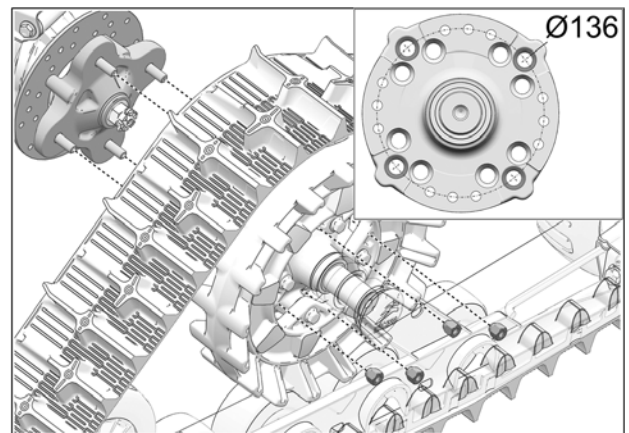


Fig. 21

12. Attach the stabilizing rod (2) to the anchor bracket (1), using the two spacers (3), washer (4), and nut (5). Torque to 70 N•m [52 lb•ft]. Refer to Fig. 22

CAUTION: Components must be assembled in the order shown.

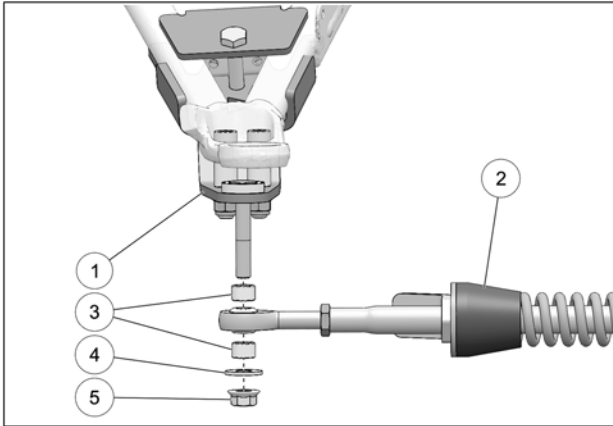


Fig. 22

13. Verify that spring assembly bolt (6) is tightened to the recommended torque specification: 75 N•m [55 lb•ft]. Refer to Fig. 23

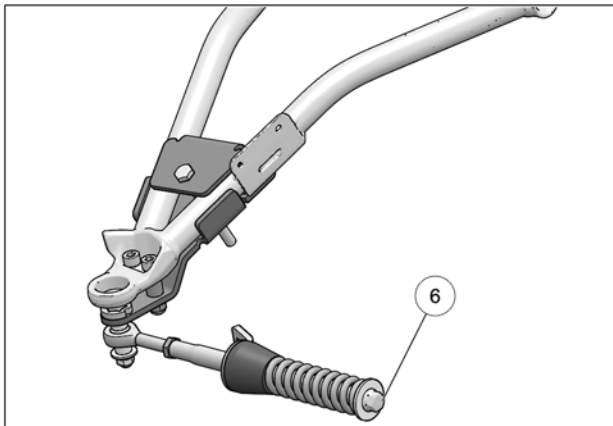


Fig. 23

STEERING LIMITER INSTALLATION

14. Discard bolts (C3) included in Steering limiter cable kits. They are not needed for installation on this particular vehicle model. Fig. 24

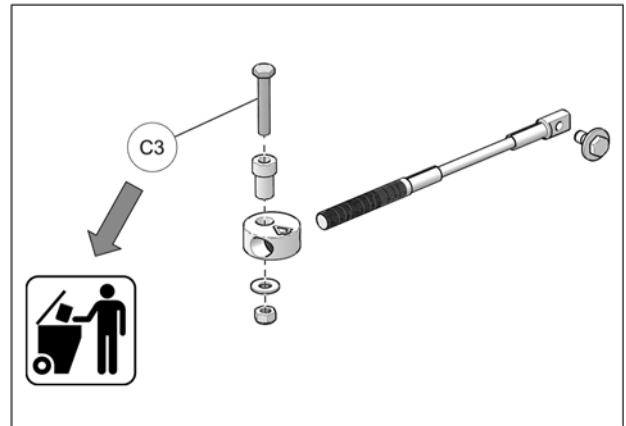


Fig. 24

15. Assemble steering limiter cables (C2), aluminum disks (C1) and step spacers (C5) together as shown on Fig. 25

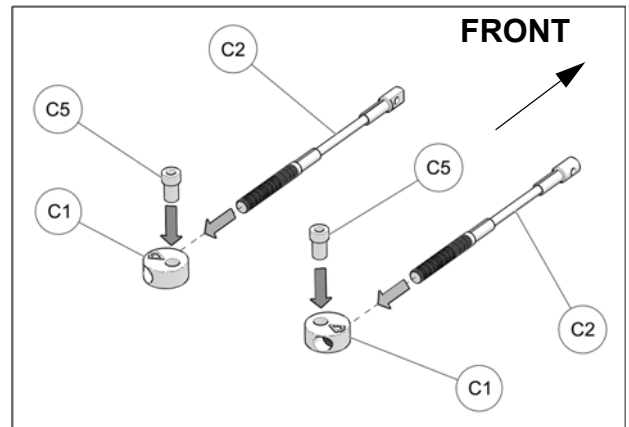


Fig. 25

IMPORTANT

16. Apply grease evenly all around step spacer bushing (C5) and in hole of aluminum disk (C1) when assembling these parts together. See Fig. 26

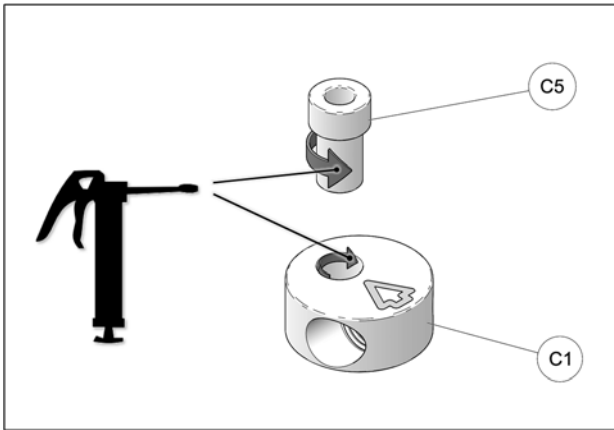


Fig. 26

17. Position Steering limiter cable assembly under front anchor bracket and slide it up on the previously inserted bolt (A5). Assemble using washer (C6) and nut (C7). Tighten nut to 50 N•m [37 lb•ft]. See Fig. 27

NOTE: Make sure arrow on top of aluminum disk points towards front of vehicle.

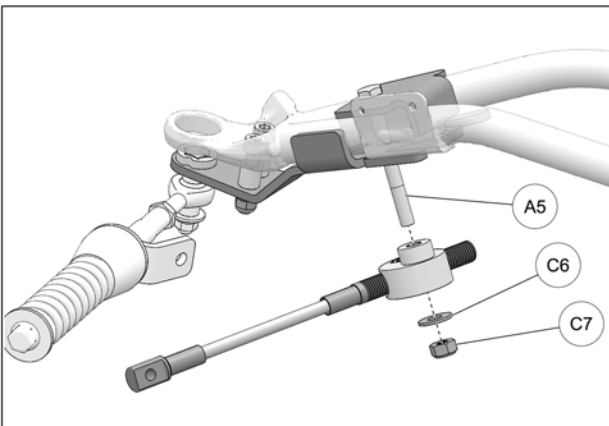


Fig. 27

IMPORTANT

18. Make sure aluminum disk pivot point is installed in front of steering limiter cable. See Fig. 28

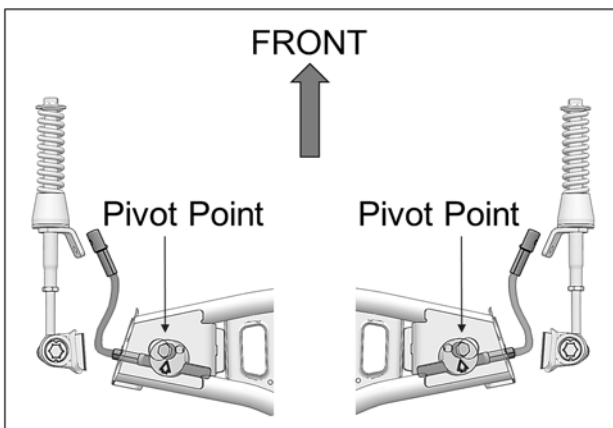


Fig. 28

STEERING LIMITER ADJUSTMENT

WARNING: Before going to the next steps, make sure that stabilizing arms are correctly installed, and that the angle of attack and alignment are correct. Refer to the *User Manual* supplied at purchase.

19. Turn the vehicle's steering wheel to its maximum point of travel on the left. While maintaining pressure on the steering wheel, turn threaded rod to adjust length of cable. See Fig. 29

20. Position cable end hole (1) 25 mm [1 in.] short of support plate (2) mounting hole. See Fig. 29

WARNING: To prevent potential damage to vehicle components, the ** 25 mm [1 inch] ** gap is mandatory.

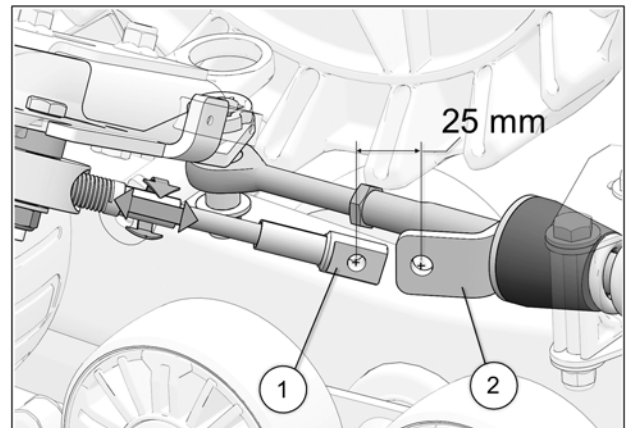


Fig. 29

21. Reverse steering wheel a little to be able to bolt support plate and cable together. Tighten provided bolt (C4) to 35 N•m [24 lb•ft]. See Fig. 30. Repeat steps on right side.

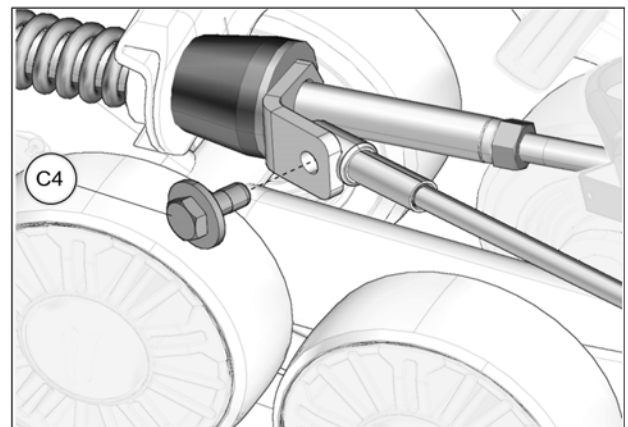


Fig. 30

FINAL INSTALLATION

1. Verify the suspension settings. If the shock absorbers are adjustable, adjust them to the stiffest setting to allow for maximum clearance between the System and the vehicle's fenders. See Fig. 31

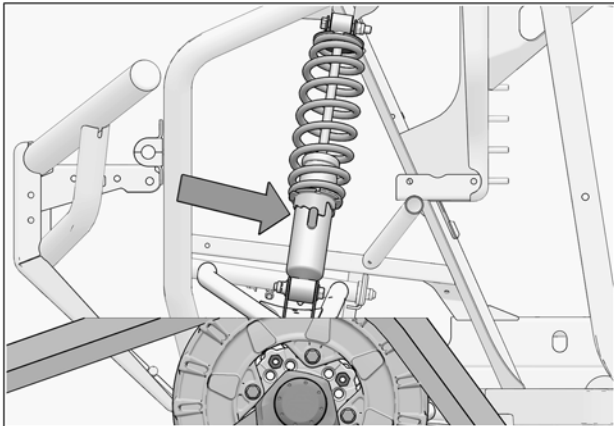


Fig. 31

2. Verify for possible contact between Track System and lower fender corners. See Fig. 32

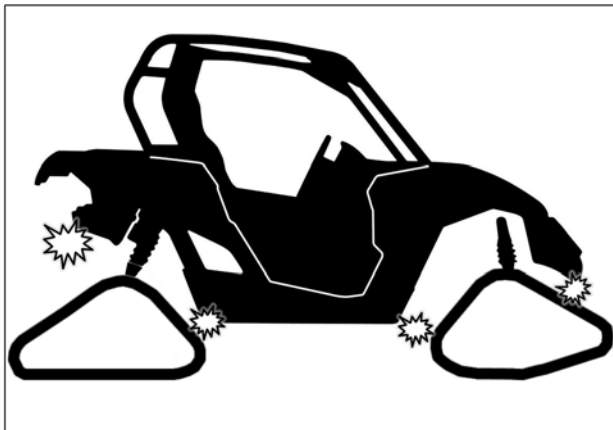


Fig. 32

CAUTION: If there is contact, the fender should be modified (cut) to avoid damage to the vehicle's components and premature wear on rubber track.

3. Lower the vehicle to the ground.

ADJUSTMENTS

CAUTION: The Track System is designed to provide the best traction performance and floatability. Adjustments such as alignment, track tension, and angle of attack are necessary for optimal System performance. For more information on these adjustments, refer to the document entitled *ADJUSTMENTS* or to the *USER MANUAL* provided with the installation kit specific to the vehicle.

REMOVAL

CAUTION: Leaving the anti-rotation anchor brackets attached to the suspension arms, after having removed the Track Systems, could cause interference which might damage the vehicle. Remove all Track System anti-rotation mechanism components installed on the vehicle before reinstalling the wheels.

CAUTION: Track Systems mounted on a vehicle increase ground clearance and stability. Be careful after re-installing your wheels; the handling characteristics of the vehicle will differ from those produced by Track Systems.

STORAGE

CAUTION: Contaminants can alter and corrode the moving parts of the Track System during storage. It is strongly recommended to perform the prescribed maintenance before storing the Track System.

Dealer or distributor phone number:

Serial number:

Date of purchase:

AJUSTEMENTS

ATTENTION: Le système de traction a été conçu pour offrir les meilleures performances en termes de traction et de flottabilité. Les ajustements d'alignement, tension des chenilles et angle d'attaque sont nécessaires pour obtenir les performances optimales. Pour plus de renseignements sur ces ajustements, voir le document **REGLAGES** ou le **MANUEL DE L'UTILISATEUR** fournis avec l'ensemble d'installation du véhicule.

DÉMONTAGE

ATTENTION: Si les ancrages anti-rotation sont laissés aux bras de suspension lors du retrait des systèmes de traction, il peut en résulter des interférences qui peuvent endommager le véhicule. Retirer les composants du système anti-rotation lors de la réinstallation des roues.

ATTENTION: Les systèmes de traction augmentent la garde au sol et accroissent la stabilité du véhicule. Faire preuve de prudence lors du retour aux roues d'origine du véhicule; les caractéristiques de conduite seront différentes de celles associées avec les systèmes de traction.

REMISAGE

ATTENTION: Les contaminants peuvent altérer et corroder les pièces mobiles des systèmes de traction pendant le remisage. Il est fortement recommandé d'effectuer l'entretien prescrit avant de remettre les systèmes de traction.

Tél. du concessionnaire / distributeur:

No. de série:

Date d'achat:

FINALISER L'INSTALLATION

1. Vérifier l'ajustement de la suspension; si les amortisseurs sont réglables, ils doivent être réglés au niveau le plus ferme pour permettre un maximum de dégagement entre les systèmes et les ailes du véhicule. Voir la Fig. 31

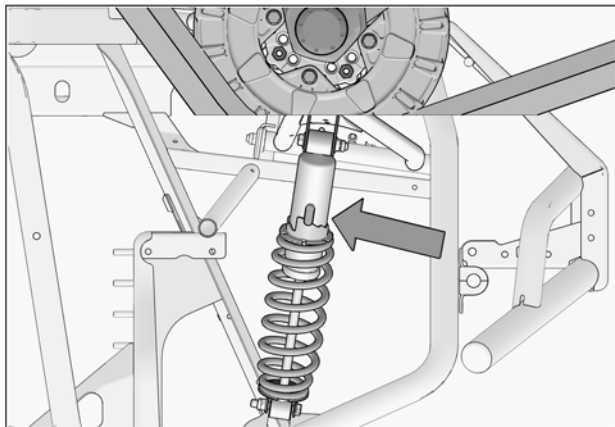


Fig. 31

2. Vérifier s'il y a possibilité de contact entre le système de traction et les coins inférieurs des ailes. Voir la Fig. 32

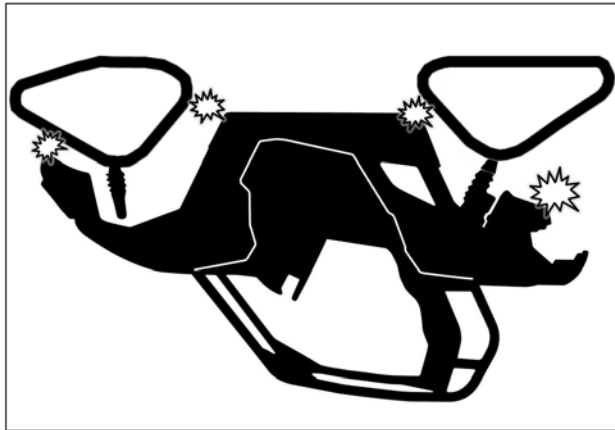


Fig. 32

ATTENTION: S'il y a contact, modifier (découper) les ailes pour éviter des dommages aux composants du véhicule et toute usure prématurée des chenilles.

3. Abaisser le véhicule au sol.

LIMITEURS DE CONDUITE - AJUSTEMENT

AVERTISSEMENT: Avant de passer aux étapes suivantes, les bras stabilisateurs doivent être correctement installés et les ajustements de l'angle d'attaque et de l'alignement doivent être complétés. Voir le *Manuel de l'utilisateur* fourni lors de l'achat.

19. Tourner le volant du véhicule au maximum de la course du côté gauche. En maintenant une pression au volant, ajuster le câble (en vissant ou dévissant pour ajuster la longueur). Voir la Fig. 29

20. Obtenir une distance de 25 mm [1 po.] du centre de l'extrémité du câble (1) au centre de l'extrémité du support de fixation (2). Voir la Fig. 29

AVERTISSEMENT: Pour éviter toute possibilité d'endommager des composantes du véhicule, la distance ** 25 mm [1 po] doit être obligatoirement être respectée.

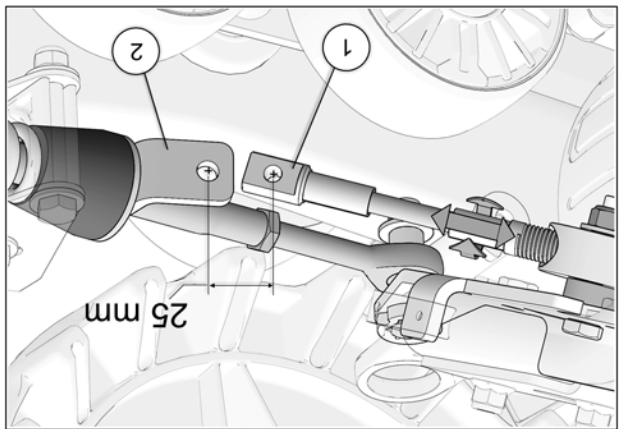


Fig. 29

21. Tourner légèrement le volant dans le sens contraire jusqu'à ce que le câble puisse être fixé à la plaque de support en utilisant le boulon (C4) fourni. Serrer à un couple de 35 N•m [24 lb•pi]. Voir la Fig. 30. Effectuer le même exercice du côté droit.

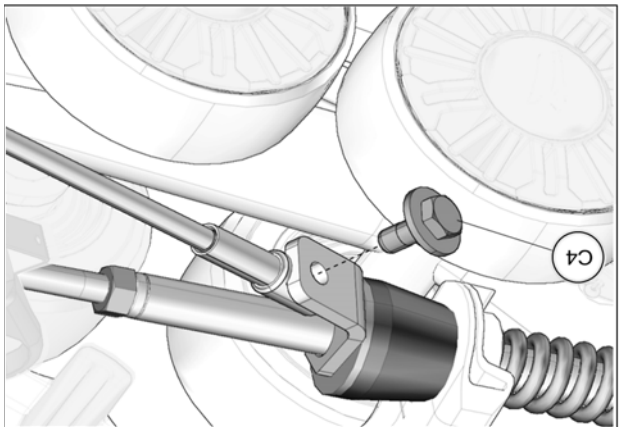


Fig. 30

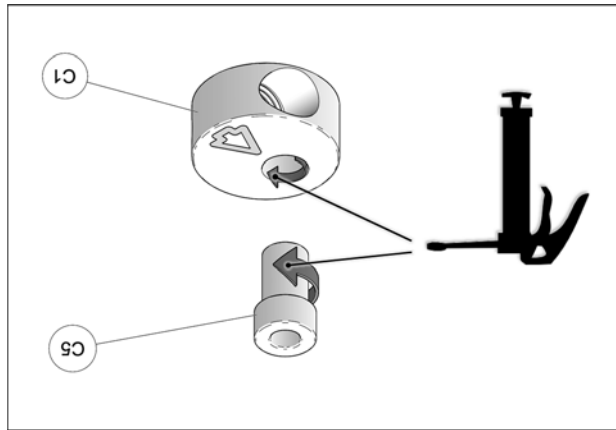


Fig. 26

17. Assembler le disque en aluminium du limiteur de conduite à l'ancrage avant en utilisant le boulon (A5) précédemment inséré dans l'ancrage, la rondelle (C6) et l'écrou (C7). Serrer l'écrou à un couple de 50 N•m [37 lb•pi]. Fig. 27

NOTE: La flèche sur le disque en aluminium doit pointer vers l'avant du véhicule.

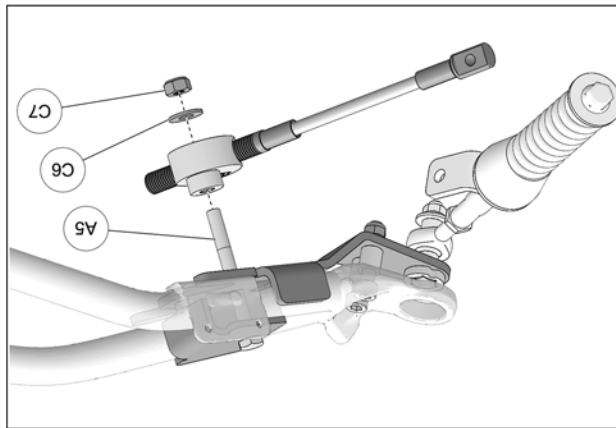


Fig. 27

18. À l'assemblage, assurez-vous que le point de pivot du disque en aluminium soit positionné en avant du câble du limiteur de conduite. Voir la Fig. 28

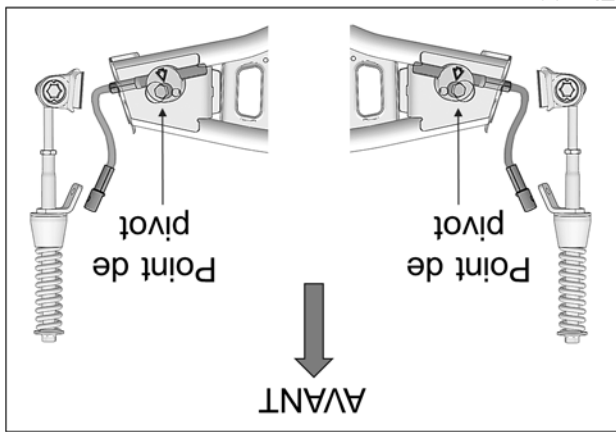


Fig. 28

IMPORTANT

LIMITEURS DE CONDUITE - INSTALLATION

14. Jeter les boulons (C3) inclus dans les ensembles de câbles-limiteur de conduite. Ils ne seront pas installés sur ce modèle de véhicule. Fig. 24

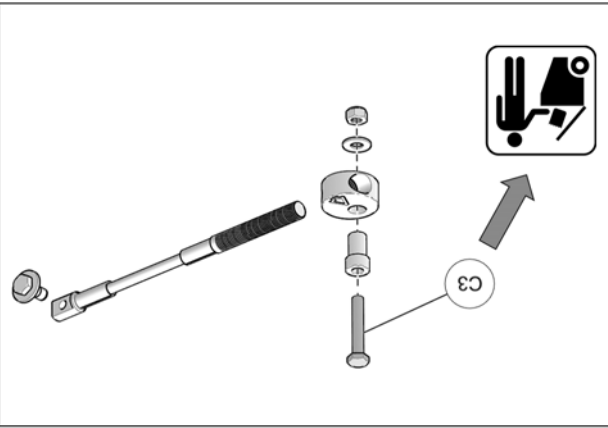


Fig. 24

15. Assembler les câbles des limiteurs de conduite (C2), les disques en aluminium (C1) et les bagues espacateurs (C5) tel que montré à la Fig. 25

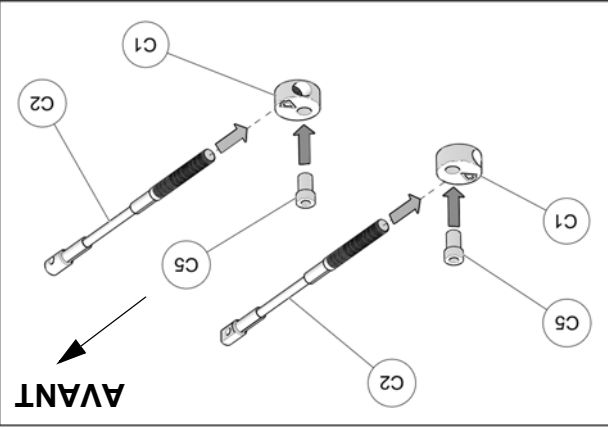


Fig. 25

16. À l'assemblage, les bagues espacateurs (C5) doivent être graissées. Appliquer une couche de graisse uniforme sur toute la circonférence de la bague espacateur et dans le logement du disque en aluminium (C1). Voir la Fig. 26

IMPORTANT

12. Fixer le bras stabilisateur (2) au boulon déjà installé sur l'ancrage de suspension (1) à l'aide des deux espacateurs (3), de la rondelle (4) et de l'écrou autobloquant (5). Serrer à un couple de 70 N•m [52 lb•pi]. Voir la Fig. 22

ATTENTION: Assurez-vous d'assembler les pièces dans l'ordre indiqué.

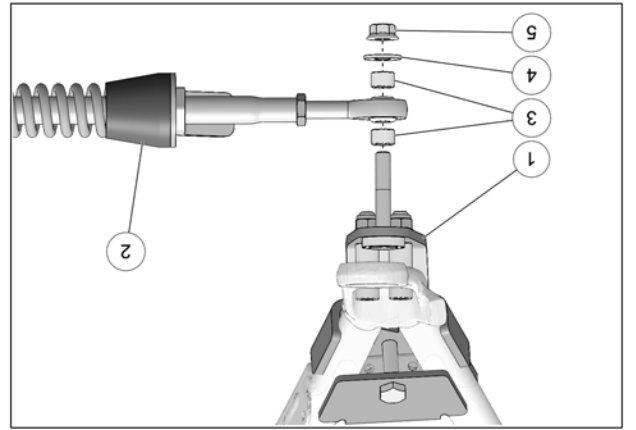


Fig. 22

13. Vérifier que le boulon du ressort (6) est serré au couple recommandé: 75 N•m [55 lb•pi]. Fig. 23

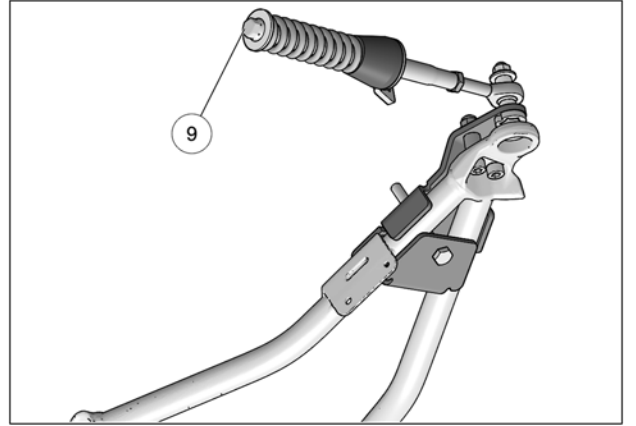


Fig. 23

7. Glisser les espacateurs (A6) sur les vis à six pans l'ancrage anti-rotation (A1-A2) sous le bras de suspension inférieur, en insérant les vis (A4) à travers les trous de l'ancrage. Positionner la partie supérieure (A3) au-dessus du bras de suspension et insérer le tenon de la partie plîée dans la mortaise de la partie inférieure. Voir Fig. 18

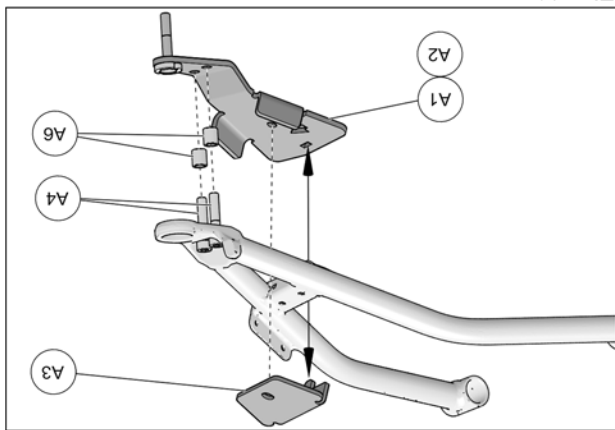


Fig. 18

8. Insérer le boulon M10x100mm (A5) par le trou de la partie supérieure de l'ancrage. Assembler l'ancrage au bras de suspension avec les écrous (A7) fournis. Serrer l'assemblage à un couple de 50 N•m [37 lb•pi]. Voir la Fig. 19

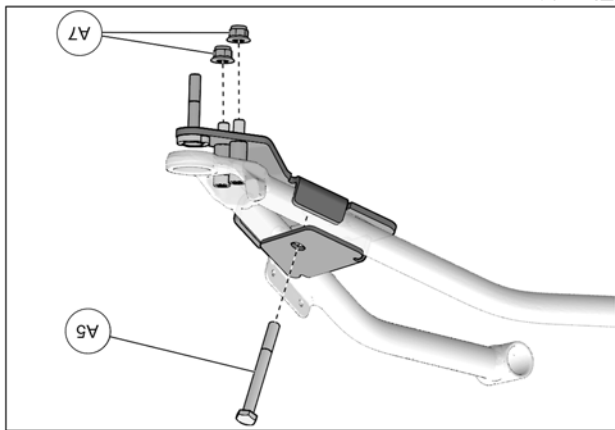


Fig. 19

9. Réinstaller le boulon inférieur de fixation de l'amortisseur (1) et le boulon fixant la barre stabilisatrice à double maillon (2). Serrer selon les couples requis par le manufacturier du véhicule. Voir la Fig. 12 et la Fig. 13

10. S'assurer que la goupille fendue (1) ne produise aucune interférence lors de l'assemblage du moyeu du système. Le moyeu du système de traction doit se positionner sans résistance au moyeu du véhicule. Voir la Fig. 20

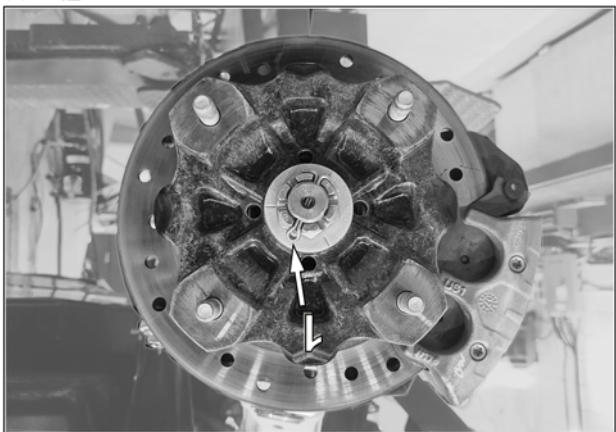


Fig. 20

11. Fixer le système de traction au moyeu de roue avant. Utiliser le cercle de perçage de Ø136mm et les écrous de roue d'origine du véhicule. Fig. 21

ATTENTION: Retirer le protecteur en caoutchouc du moyeu, s'il y a lieu.

ATTENTION: Serrer les écrous de roue au couple de serrage indiqué par le fabricant du véhicule.

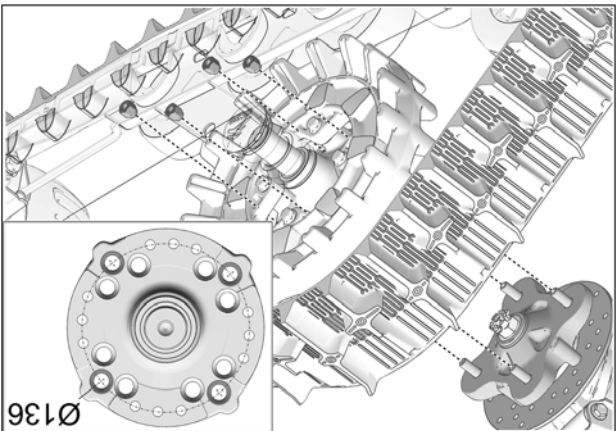


Fig. 21

SYSTÈMES AVANT - INSTALLATION

1. Enlever les roues avant. S'assurer que les goujons et les moyeux de roue sont exempts de saleté.

2. Retirer les protecteurs de joint homocinétique, si nécessaire.

3. Retirer temporairement le boulon inférieur de

fixation de l'amortisseur (1) et le boulon fixant la barre stabilisatrice à double maillon (2). Voir Fig. 12

et Fig. 13



Fig. 12



Fig. 13

4. Soulever le bras de suspension supérieur et insérer deux vis à six pans creux (A4) dans le bras inférieur, comme montré à la Fig. 14

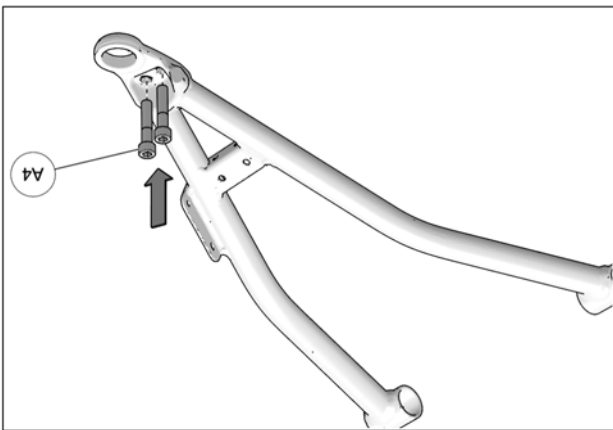


Fig. 14

5. Retirer les boulons, rondelles, espaceurs et écrous installés aux rotules des bras stabilisateurs des systèmes avant. Voir la Fig. 15

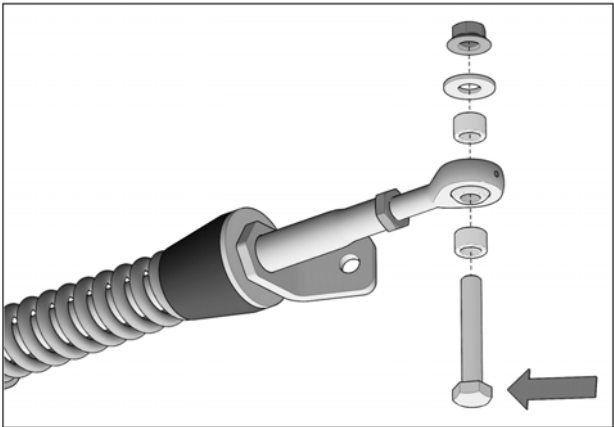


Fig. 15

6. Insérer un boulon à l'extrémité de chacun des ancrages de suspension avant (A1-A2). Fig. 16

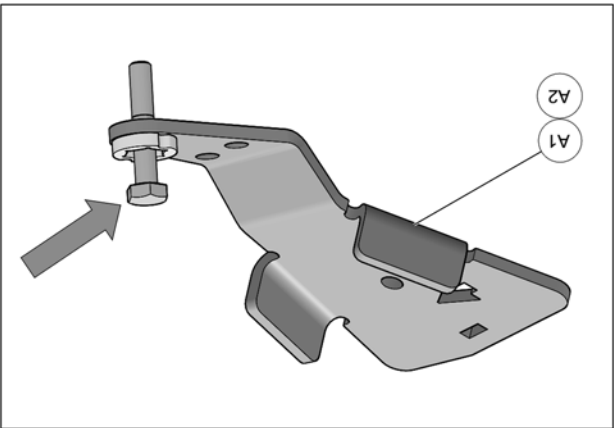


Fig. 16

ATTENTION: Assurez-vous d'insérer le boulon dans le bon sens. Voir la Fig. 17

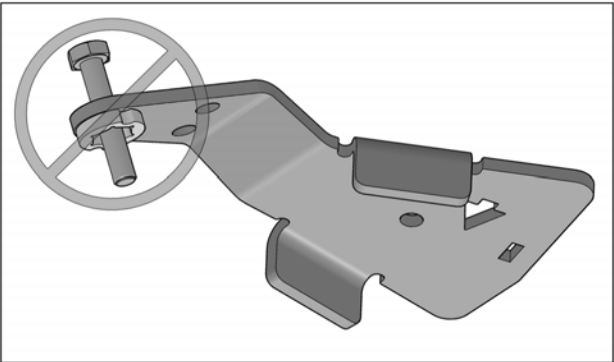


Fig. 17

8. S'assurer que la goupille fendue (1) ne produise aucune interférence lors de l'assemblage du moyeu de traction. Le moyeu de traction au moyeu doit se positionner sans résistance au moyeu du véhicule. Voir la Fig. 8

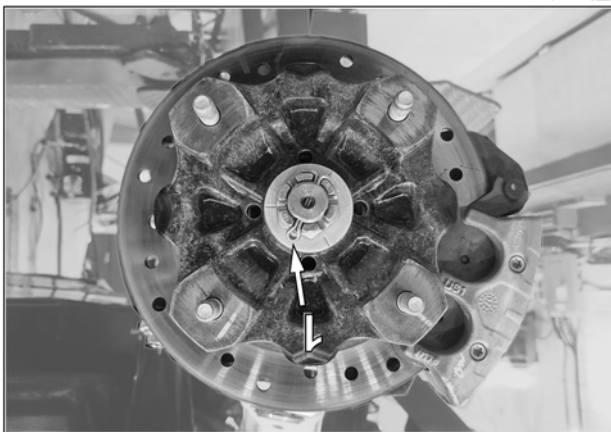


Fig. 8

9. Fixer le système de traction au moyeu de roue arrière. Utiliser le cercle de perçage de $\varnothing 136\text{mm}$ et les écrous de roue d'origine du véhicule. Voir Fig. 9

ATTENTION: Retirer le protecteur en caoutchouc du moyeu, s'il y a lieu.

ATTENTION: Serrer les écrous de roue au couple de serrage indiqué par le fabricant du véhicule.

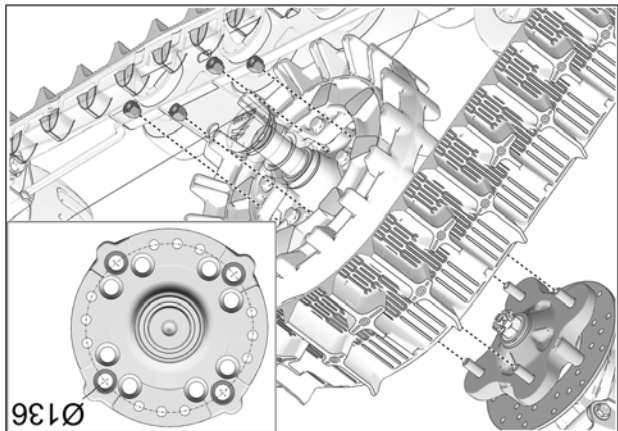


Fig. 9

10. Fixer le bras stabilisateur (1) à l'ancrage de suspension (B1-B2) à l'aide du boulon (B3), des espaces coniques (B5) et de l'écrou autobloquant (B6). Serrer à un couple de $70\text{ N}\cdot\text{m}$ [52 lb·pi]. Voir la Fig. 10

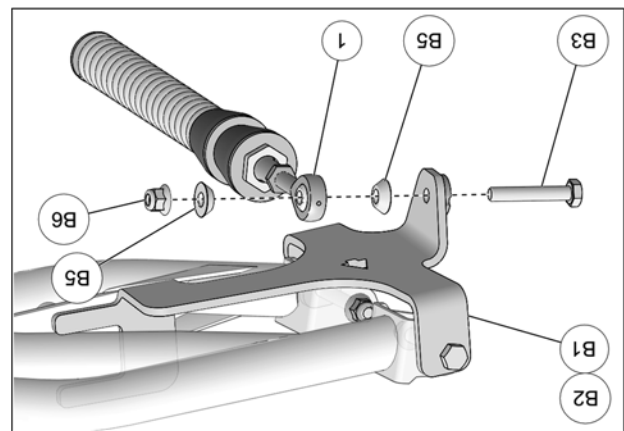


Fig. 10

11. Vérifier que le boulon du ressort (2) est serré au couple recommandé : $75\text{ N}\cdot\text{m}$ [55 lb·pi]. Fig. 11

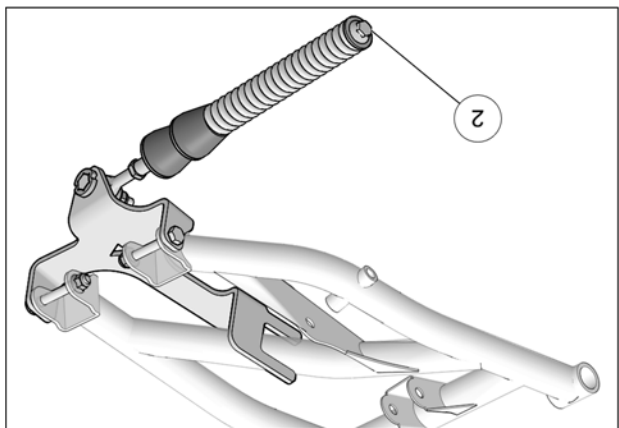
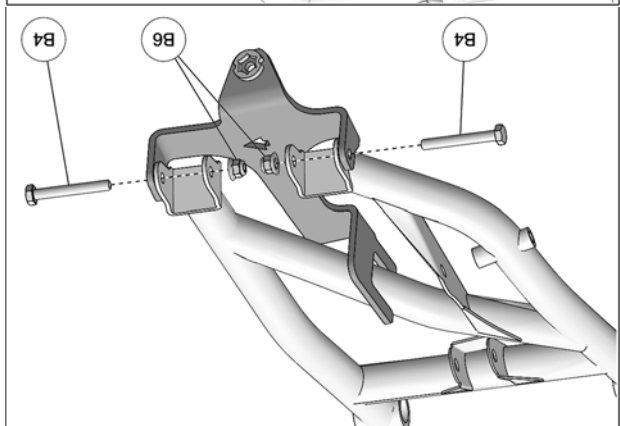
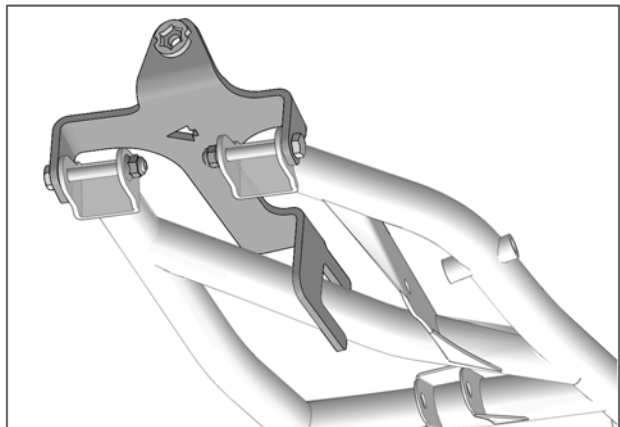


Fig. 11

12. Inspecter les systèmes de traction arrière et s'assurer que tous les boulons ont été serrés correctement lors de l'installation.

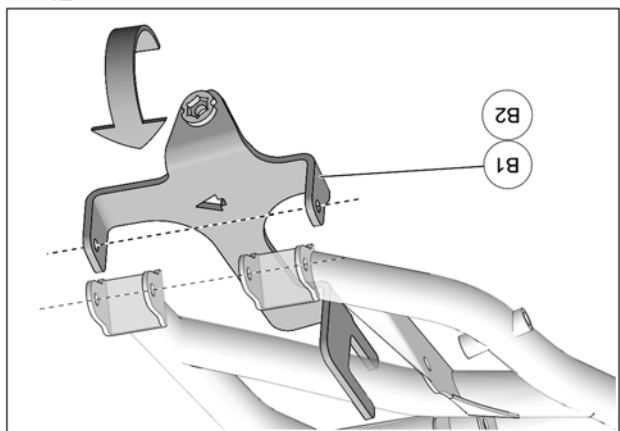
6. Faire pivoter l'ancrage vers le haut pour aligner les trous de l'ancrage (B1-B2) aux trous du bras de suspension. Voir la Fig. 6

Fig. 7



7. Insérer les nouveaux boulons M10x75mm (B4) à travers l'ancrage, le bras de suspension inférieur et le moyeu de roue. Fixer l'assemblage en utilisant les nouveaux écrous (B6) fournis. Serrer les boulons à un couple de 70 N•m [52 lb•pi]. Voir la Fig. 7

Fig. 6



4. Dévisser les deux boulons (1) qui relie le bras inférieur de suspension au moyeu de roue. Voir la Fig. 4

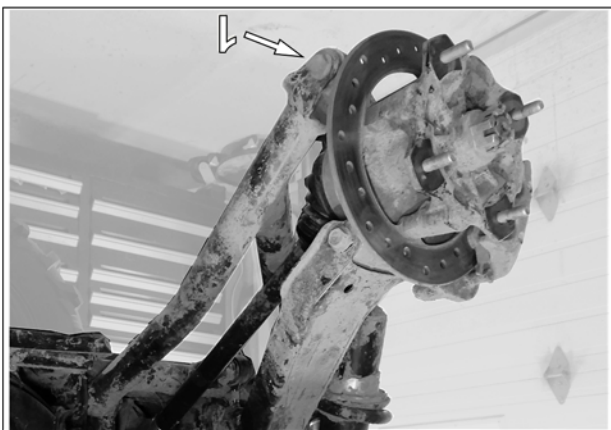


Fig. 4

5. Accrocher l'arrière de l'ancrage (B1-B2) sur la traverse du bras de suspension inférieur. Voir la Fig. 5

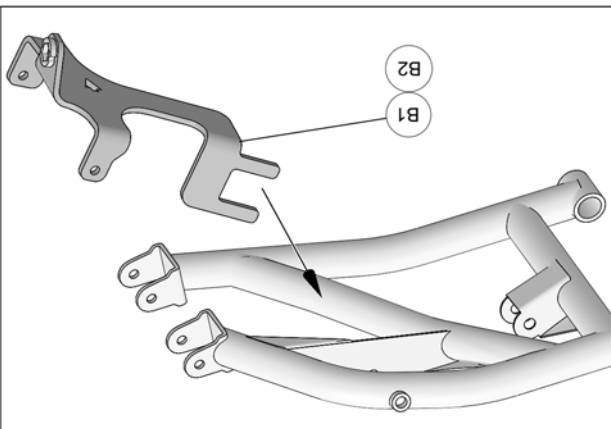


Fig. 5

1. Placer chaque système de traction près de sa position d'installation indiquée sur l'étiquette apposée au châssis.

PRÉPARATION

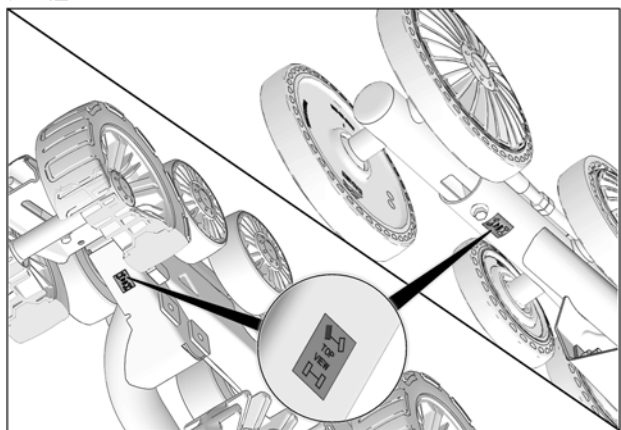


Fig. 2

**** IMPORTANT :** Débuter par l'installation des systèmes de chenille ARRIÈRE. **

SYSTÈMES ARRIÈRE - INSTALLATION

1. Enlever les roues arrière. S'assurer que les goujons et les moyeux de roue sont exempts de saleté.
2. Retirer les protecteurs de joint homocinétique, si nécessaire.
3. Retirer et jeter les boulons, rondelles, espaceurs et écrous aux rotules des bras stabilisateurs des systèmes arrière. Voir la Fig. 3.

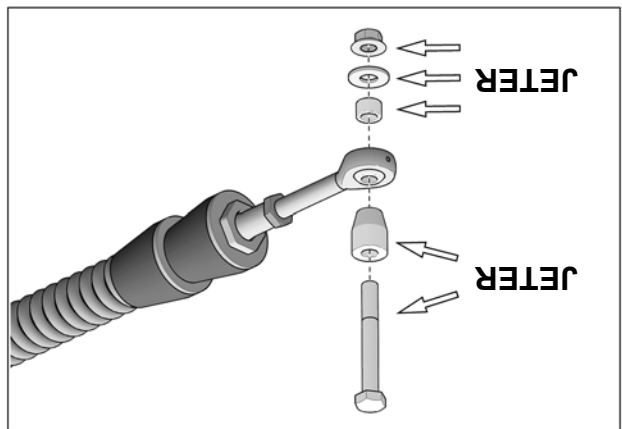


Fig. 3

Couples de serrage recommandés selon les dimensions et les grades des boulons.

COUPLES DE SERRAGE

GRADE	DIMENSION	
	Nm	lb-pi
M6-1.0	10	7
M8-1.25	25	18
M10-1.5	50	37
M12-1.75	90	66
	Nm	lb-pi
	8.8	10.9

NOTE: Utiliser une pâte de blocage de filet de type Loctite 262, ou l'équivalent, aux endroits indiqués aux vues explosées du *Manuel de l'utilisateur*.

INFORMATION

1. Des flèches indiquant l'avant du véhicule sont découpées dans certaines composantes des ancrages. S'assurer que ces flèches pointent vers l'avant du véhicule à l'assemblage de celles-ci. Fig. 1

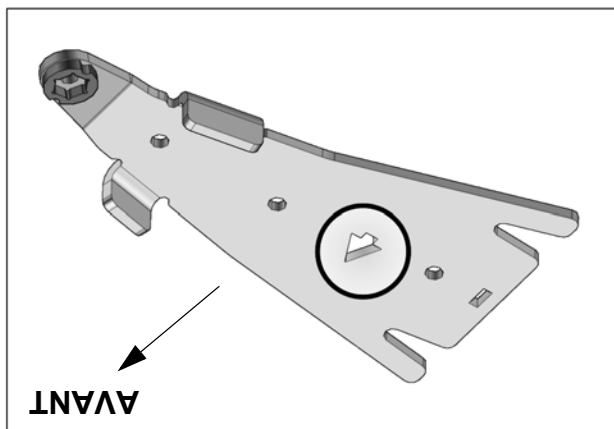
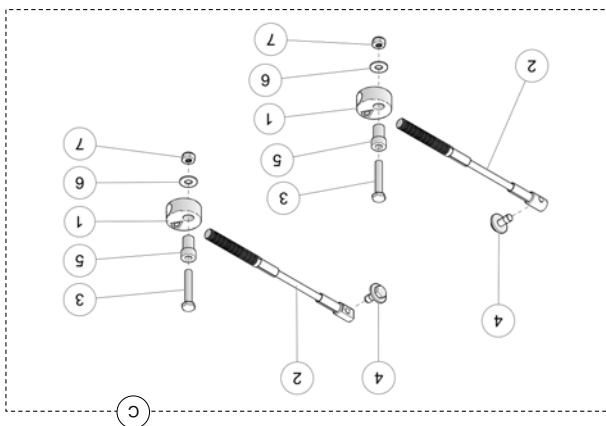
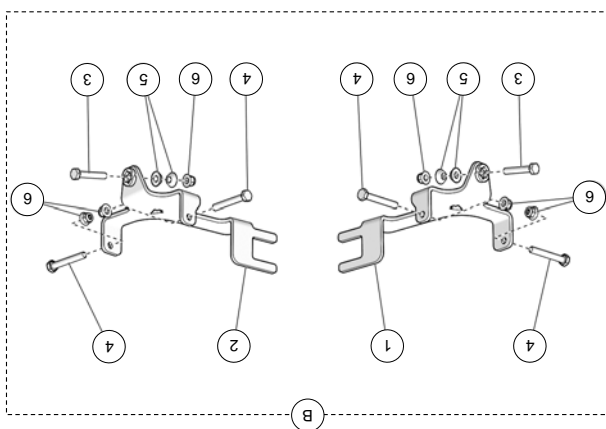


Fig. 1

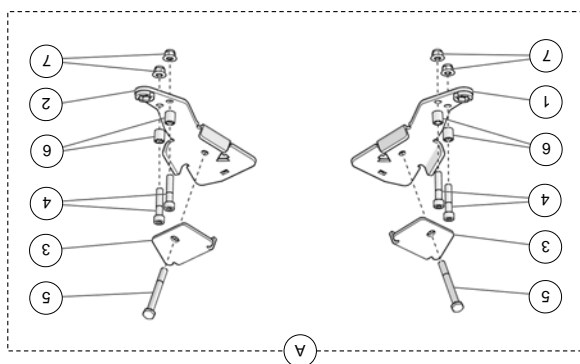
ITEM	# PIÈCE	DESCRIPTION	QTE
C	1003-77-3500	CÂBLE LIMITEUR DE CONDUITE ASSEMBLÉ	1
1	--	RONDELLE FILETÉE	2
2	1003-77-3560	CÂBLE ASSEMBLÉ	2
3	1033-10-0060	BOULON - HCS, M10-1,5X60, 8,8, ZP, DIN931	2
4	1033-10-2026	BOULON-HCSW, M10-1,5X25,8,8,ZP,TL,DIN933	2
5	1050-00-2000	ESPACEUR	2
6	1060-00-0004	RONDELLE - W, 7/16X1,0X0,072, 8, ZP, USS	2
7	1071-10-0001	ÉCROU NYLON - NN, M10-1,5, ZP, 8, DIN982	2



ITEM	# PIÈCE	DESCRIPTION	QTE
B	1005-02-0022	ENSEMBLE ANCRAGE ARRIÈRE	1
1	--	ANCRAGE ANTI-ROTATION ARRIÈRE - GA	1
2	--	ANCRAGE ANTI-ROTATION ARRIÈRE - DR	1
3	1033-10-1060	BOULON - HCS, M10-1,5X60, 10,9, ZP, DIN931	2
4	1033-10-1075	BOULON - HCS, M10-1,5X75, 10,9, ZP, DIN931	4
5	1050-05-0305	COUSSINET CONIQUE	4
6	1074-10-0001	ÉCRU NYLON - FNN, M10-1,5, 8, ZP, DIN6926	6



ITEM	# PIÈCE	DESCRIPTION	QTE
A	1004-02-0020	ENSEMBLE ANCRAGE AVANT	1
1	--	ANCRAGE ANTI-ROTATION AVANT - GA	1
2	--	ANCRAGE ANTI-ROTATION AVANT - DR	1
3	--	COUVERT AVANT	2
4	1032-10-J050	BOULON-HCS, M10-1,5X50, 12,9,ZP,DIN912	4
5	1033-10-0100	BOULON - HCS, M10-1,5X100, 8,8, ZP, DIN931	2
6	1050-00-0011	ESPACEUR ,445 X ,625 X 0,709L	4
7	1074-10-0001	ÉCROU NYLON - FNN, M10-1,5, 8, ZP, DIN6926	4



ATTENTION: Avant de débiter l'installation, assurez-vous d'avoir reçu toutes les composantes incluses dans les listes de pièces de cet ensemble.

LISTES DE PIÈCES

Bienvenue dans la famille Camso

Merci d'avoir choisi nos systèmes de chenilles pour faire de ton véhicule une bête féroce.

Nos produits sont conçus pour t'amener plus loin et te permettre de travailler plus fort sur tous les terrains, que tu sois à la chasse, à la pêche sur glace, en train d'entretenir ton terrain, en route vers ton chalet isolé ou à la quête d'une aventure en plein air. Peu importe où et dans quelles conditions, tu pourras t'y rendre et revenir en toute sécurité avec tes systèmes de chenilles Camso.

Prêt à bénéficier d'une traction, d'une mobilité, d'une stabilité et d'une flottaison optimales?

Alliez, fais tes traces!

REMARQUES / CONTRAINTES

Un système de chenilles peut générer des contraintes lors de l'installation ou de l'utilisation. Il y a possibilité de légère interférence ou de modification mineure à apporter au véhicule.

Pour ce modèle de véhicule, le design occasionne les contraintes et recommandations suivantes:

- Légères interférences et modifications mineures possibles.

VALIDATION DES RATIOS DES SYSTÈMES AVANT INSTALLATION.

Scanner le code QR à droite pour accéder au *guide d'application* et valider les nombres de dents avant et arrière des barbotins associés au modèle de votre véhicule.



SYMBOLES ET MOTS INDICATEURS

On utilise, dans ce document, les symboles et mots indicateurs suivants afin de souligner des renseignements en particulier:

AVERTISSEMENT

Indique une situation possiblement dangereuse qui, si on ne parvient pas à l'éviter, pourrait entraîner la mort ou des blessures graves.

ATTENTION: Indique une situation possiblement dangereuse qui, si on ne parvient pas à l'éviter, pourrait entraîner des dommages au véhicule et aux systèmes de chenille.

NOTE: Apporte des renseignements supplémentaires.

AVERTISSEMENTS

AVERTISSEMENT

Installer le système chez un concessionnaire Camso autorisé. Voir la section *Garantie* du *Manuel de l'utilisateur*.

AVERTISSEMENT

Porter des gants et des verres protecteurs.

AVERTISSEMENT

Immobiliser le véhicule sur une surface plane et au niveau, mettre la transmission à **Park** et couper le moteur.

AVERTISSEMENT

Soulever et installer le véhicule sur des supports (ou dispositif de levage) sécuritaires.

AVERTISSEMENT

S'assurer que le véhicule est bien immobile et qu'on peut y travailler en sécurité.

AVERTISSEMENT

Attention aux surfaces chaudes qui pourraient causer des brûlures.


AVERTISSEMENT

Pièces mobiles - Garder les mains ou les doigts loin des pièces en mouvement afin d'éviter les risques de blessures graves ou de mort.

AVERTISSEMENT

Ne jamais exposer des parties du corps sous le véhicule à moins que celui-ci ne repose sur des supports appropriés. Si le véhicule devait verser ou se déplacer, cela pourrait occasionner des blessures graves. Ne pas utiliser un dispositif de levage comme support permanent.

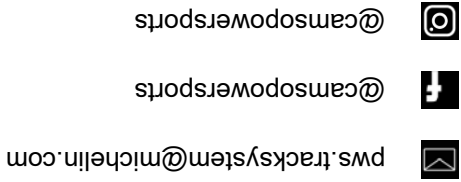


AVERTISSEMENT  Veuillez lire attentivement ce document en entier, ainsi que le manuel de l'utilisateur avant d'assembler, d'installer et d'utiliser le système de traction.

ATTENTION: La durée de vie des composantes d'un système de traction Camso est directement liée à la manière d'utiliser le système. La conduite sportive, les changements de direction brusques ou les virages rapides et à répétition (plus spécifiquement aux véhicules à direction assistée) ne sont pas recommandés. Ces types de conduite augmentent les risques de déraillement des chenilles et peuvent causer une usure prématurée et des bris majeurs au système qui ne seront pas couverts par la garantie.

SOUTIEN TECHNIQUE

En cas de problème, contacter d'abord votre concessionnaire ou distributeur. Advenant qu'il ne soit pas en mesure de résoudre un problème lié au système, vous pouvez communiquer avec l'équipe de soutien de Camso du lundi au vendredi.



Camso Inc.
4162, rue Burrill - Local A
Shawinigan, QC G9N 0C3
CANADA



VERSION A

BRP
5000-02-1086-MAN

POWERSPORTS POWERSPORTS POWERSPORTS



CAMSO TRACK SYSTEMS FOR ALL-TERRAIN / SIDE-BY-SIDE VEHICLES
SYSTEMES DE CHENILLES CAMSO POUR VEHICULES TOUT-TERRAIN ET CÔTE À CÔTE

INSTALLATION GUIDELINES GUIDE D'INSTALLATION